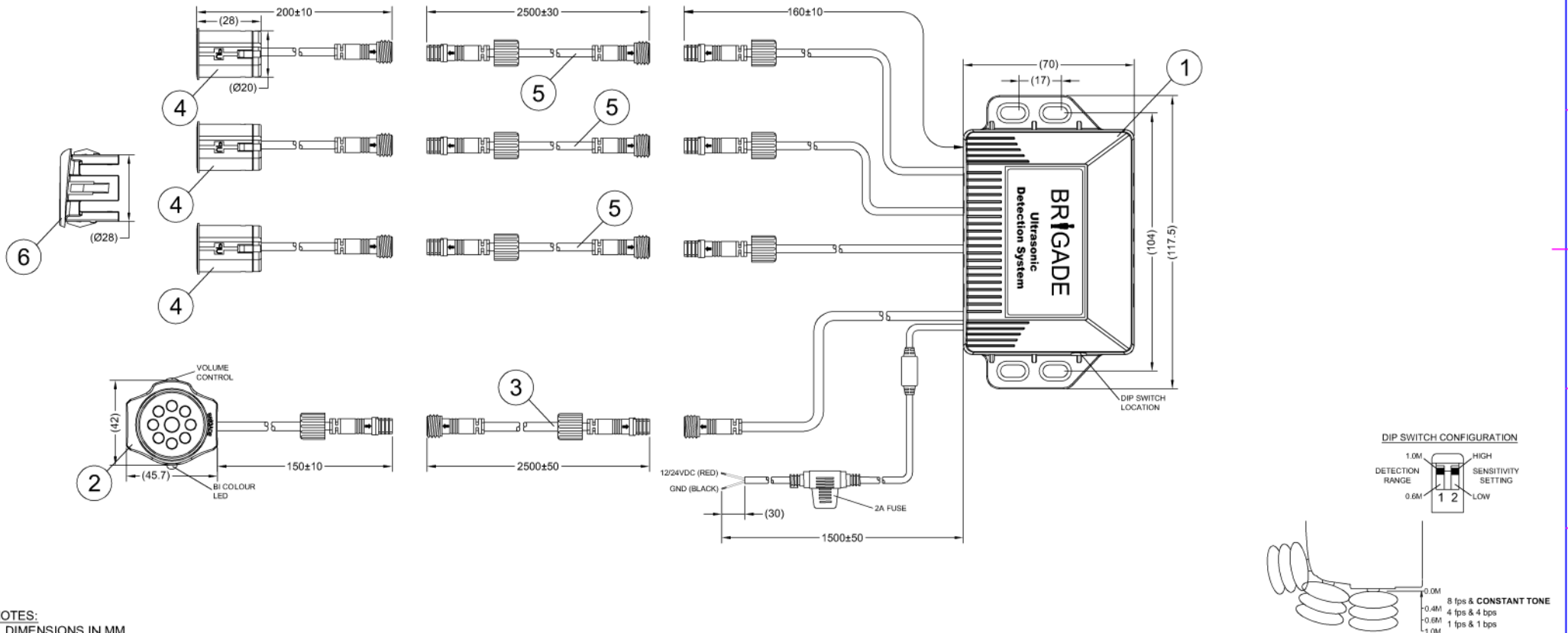


ITEM	STOCK CODE	QTY	DESCRIPTION
1	#3714	1	CS-3000-ECU CORNER SCAN ECU
2	#3715	1	UDS-001BZ BUZZER WITH LED
3	#3717	1	UDS-2.5BC 2.5M BUZZER CABLE
4	#3718	3	UDS-000-HSS HIGH SENSITIVITY SENSORS
5	#3719	3	UDS-2.5SC 2.5M SENSOR CABLE
6	#3723	3	UDS-11SS SENSOR SLEEVES 11°
7	#3724	3	UDS-18SS SENSOR SLEEVES 18° (NOT SHOWN)
8	#3725	3	UDS-26SS SENSOR SLEEVES 26° (NOT SHOWN)
9	#3728	1	UDS-IG ULTRASONIC USER GUIDE (NOT SHOWN)
10	#3731	1	CS-3000-FIX CORNER SCAN FIXING KIT (NOT SHOWN)

Revision Notes.			PREVIOUSLY UNRELEASED
SENSOR INPUT LOCATIONS RELOCATED, BUZZER UPDATED.			14/04/11
Checked By: -	Approved By: -	Date Released: -	
ASSEMBLY PLANT REFERENCE ADDED, WARNINGS UPDATED.			18/04/11
Checked By:	Approved By:	Date Released:	
FERRITE ADDED TO POWER CABLE			
Checked By: J.N	Approved By: S.M	Date Released: 23/09/11	



- NOTES:
1. DIMENSIONS IN MM.
 2. WHEN THE SYSTEM IS POWERED BUT NOT DETECTING THE LED WILL REMAIN GREEN.
 3. ALL AUDIBLE WARNINGS ARE MEASURED IN BEEPS PER SECOND (bps).
 4. ALL VISUAL WARNINGS ARE RED AND ARE MEASURED IN FLASHES PER SECOND (fps).
 5. THE ECU WILL BEEP ONCE FOR ONE FAULTY SENSOR, TWICE FOR TWO FAULTY SENSORS ETC...

PROPRIETARY NOTICE
 THIS DESIGN AND TECHNICAL INFORMATION APPEARING ON THIS DRAWING IS THE PROPERTY OF BRIGADE ELECTRONICS, AND IS DISCLOSED IN CONFIDENCE. IT IS NOT TO BE COPIED, REPRODUCED, REVEALED TO OR EXPROPRIATED BY OTHERS, EITHER IN WHOLE OR IN PART WITHOUT THE EXPRESS WRITTEN CONSENT OF BRIGADE ELECTRONICS.



Assembly Pl Approval LEE QG 19.07.2011	Approved by S.MATTHEWS	Checked by M.POTTER	Drawn by M.BUTLER
Units mm	Scale N/A	Released 01/08/2011	Assembly Ref AEC-10015-40
Status RELEASED	CS-3000		
Stock Code #3712	BE-001539-03-11		

